



Water Tower Model 1800-122

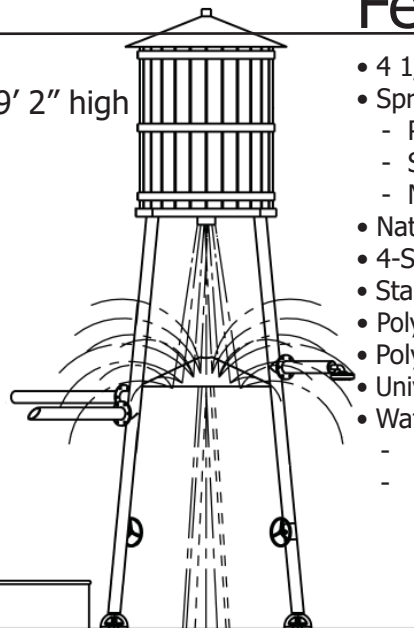
Specifications

Model: 1800-122

Dimensions: 5' 8" wide x 19' 2" high

Platform: 13' 0" tall

Deflection Plate: 7' 0" tall



Features

- 4 1/2" OD stainless steel post
- Spray features mounted to tower legs
 - Pipe Waterfall (fills water trough)
 - Spray Curtain - (with interactive water flow wheel)
 - Misty Spray - (with interactive water flow wheel)
- Natural aged wood planks for water tower
- 4-Sided deflection plate with hole in center
- Stainless steel base plates and anchor system
- Polyethylene base plate cover
- Polyester powder coat finish
- Universal spray flange assembly
- Water volume: 30-60 gpm
 - 30 gpm dumps every 5 minutes
 - 60 gpm dumps every 2 1/2 minutes



PO Box 270, Baker City, OR 97814 (541) 523-0224 (800) 252-8475 www.naturalstructures.com - info@naturalstructures.com